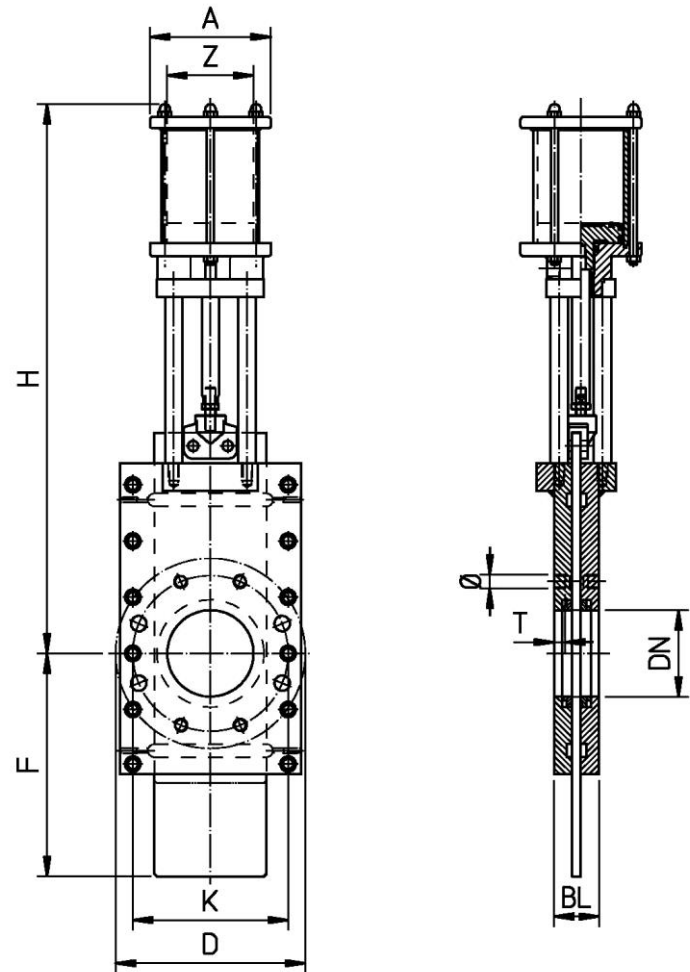


DN 50 – 400 Standard construction

- Valve operated by double acting pneumatic cylinder
- Material acc. to data sheet 2.0.13
- Coating acc. to data sheet 2.0.12
- Flange drilling: DN 50-150 PN16
DN 200-400 PN 10
EN 1092 / ISO 7005
- Face-to-face: EN 558 Series 20
ISO 5752 Series 20
(K1 DIN 3202)
- Nominal pressure: DN 50-300 10 bar
DN 350-400 6 bar
- Test pressure acc. to EN 12266-1
Leakage rate C



DN	D	K	BL	H	F	Z	A	G ISO 228	Ø	T	Screws	⊕	⊕	Shut-off max.
50	165	125	43	436	141	100	140	G1/4"	M16	17	4 pcs.	4	-	9 bar
65 ¹	185	145	46	486	174	100	140	G1/4"	M16	12	8 pcs	4	4	7 bar
80 ²	200	160	46	563	207	160	180	G1/4"	M16	12	8 pcs	4	4	10 bar
100 ²	220	180	52	686	258	160	180	G1/4"	M16	15	8 pcs	4	4	10 bar
125 ²	250	210	56	751	298	160	180	G1/4"	M16	17	8 pcs	4	4	8 bar
150	285	240	56	908	348	200	220	G1/4"	M20	14	8 pcs	4	4	10 bar
200	340	295	60	1055	418	200	220	G1/4"	M20	18	8 pcs	4	4	6 bar
250	395	350	68	1295	500	250	270	G1/2"	M20	17	12 pcs	8	4	7 bar
300	445	400	78	1486	575	300	320	G1/2"	M20	21	12 pcs	8	4	8 bar
350	505	460	78	1640	715	300	320	G1/2"	M20	21	16 pcs	12	4	6 bar
400	565	515	102	1820	795	300	320	G1/2"	M24	24	16 pcs	12	4	5 bar

¹ DN 65 with 8 holes

² DN 80-125 cylinder 45° turned

⊕ Tapped holes

⊕ Through bore