

# WEY PLATTENSCHIEBER FBE

## WEY KNIFE GATE VALVE FBE

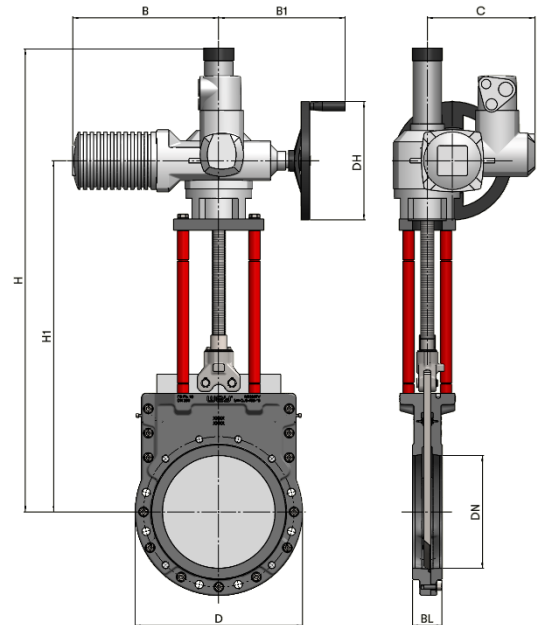


### Datenblatt / Data sheet

2.60.250901\_d\_e

#### DN 450 – 2000 (4 / 2.5 / 1.6 bar)

- Plattenschieber mit vollfreiem Durchgang /  
Knife Gate valve with full bore
- Spezialschaber reinigen die Schieberplatte bei jeder Öffnung (ab DN 200) / Special scrapers clean the gate every time it is opened (from DN 200)
- Betätigung mittels elektrischem Drehantrieb 3x400 V Drehstrom, 50 Hz, steigende Spindel /  
Operated by electrical actuator 3x400 V, 50 Hz, rising stem
- Baulänge / Face-to-Face: EN 558 / ISO 5752-20
- Nenndruck / Nominal pressure: DN 450 – 2000 4 bar  
DN 500 – 2000 2.5 bar  
DN 700 – 2000 1.6 bar
- Dichtheitsprüfung gem. EN 12266-1, Leckrate A /  
Leak test acc. to EN 12266-1, leak rate A
- Bei Anfrage, bitte zusätzliche Informationen zum Molch angeben / When inquiring, please provide additional information about the foam pig.



#### Generelle Abmessungen / General dimensions

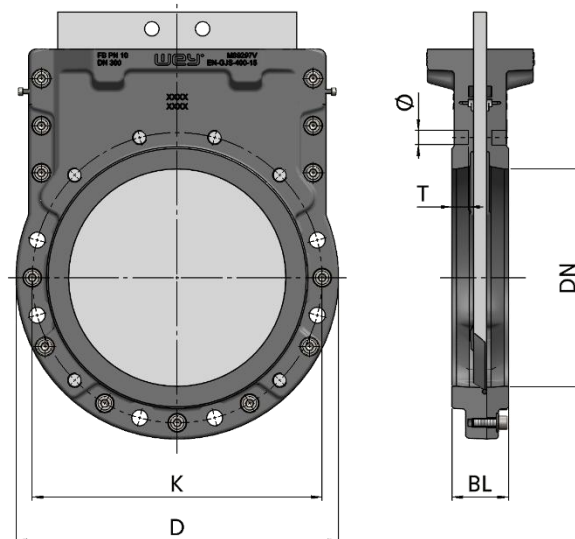
DN	NPS	D	BL	SA	H	H1	DH	B	B1	C	4 bar [kg]	2.5 bar [kg]	1.6 bar [kg]
450	18"	615	114	10.2	1677	1193	200	283	254	248	241	-	-
				<b>14.2</b>	1618	1218	315	389	336	286	272	-	-
500	20"	670	127	10.2	1759	1275	200	283	254	248	283	n/a	-
				<b>14.2</b>	1800	1300	315	389	336	286	315	n/a	-
600	24"	780	154	<b>14.2</b>	2124	1524	315	389	336	286	495	n/a	-
				14.6	2124	1524	400	389	339	286	505	-	-
700	28"	895	165	14.2 <sup>1</sup>	2492	1792	315	389	336	286	762	n/a	n/a
				<b>14.6<sup>1</sup></b>	2492	1792	400	389	339	286	774	n/a	-
				16.2 <sup>1</sup>	2446	1827	500	430	365	330	813	-	-
800	32"	1015	190	14.2 <sup>1</sup>	2830	2030	315	389	336	286	1151	n/a	n/a
				14.6 <sup>1</sup>	2830	2030	400	389	339	286	1166	n/a	-
				<b>16.2<sup>1</sup></b>	2884	2065	500	430	365	330	1206	-	-
900	36"	1115	203	14.2 <sup>1</sup>	3127	2227	315	389	336	286	1466	n/a	n/a
				14.6 <sup>1</sup>	3127	2227	400	389	339	286	1477	n/a	n/a
				<b>16.2<sup>1</sup></b>	3181	2262	500	430	365	330	1519	n/a	-
				25.1	3196	2352	400	518	407	418	1652	-	-

Maximaler Arbeitsdruck ist abhängig von Mediumskategorie. **Fett** markierte Antriebe für max. Arbeitsdruck 4 bar, Medium 1. Massangaben in mm. Alle Angaben unverbindlich. Änderungen vorbehalten. / Maximal operating pressure depends on media. **Highlighted** Actuators for max. operating pressure 4 bar, media 1. All dimensions in mm. All information for reference only. Modifications reserved.

DN	NPS	D	BL	SA	H	H1	DH	B	B1	C	4 bar [kg]	2.5 bar [kg]	1.6 bar [kg]
1000	40"	1230	216	14.6 <sup>1</sup>	3533	2533	400	389	339	286	n/a	n/a	n/a
				16.2 <sup>1</sup>	3587	2568	500	430	365	330	n/a	n/a	-
				<b>25.1<sup>1</sup></b>	3602	2658	400	518	407	418	n/a	-	-
1200	48"	1455	254	14.6 <sup>1</sup>	4081	2881	400	389	339	286	n/a	n/a	n/a
				16.2 <sup>1</sup>	4135	2916	500	430	365	330	n/a	n/a	n/a
				<b>25.1</b>	4150	3006	400	518	407	418	n/a	n/a	-
				30.1	4218	3061	500	742	439	445	n/a	-	-
1400	56"	1675	279	16.2 <sup>1</sup>	4792	3373	500	430	365	330	n/a	n/a	n/a
				25.1	4807	3463	400	518	407	418	n/a	n/a	n/a
				<b>30.1</b>	4875	3518	500	742	439	445	n/a	-	-
1600	64"	1915	318	16.2 AK <sup>2</sup>	5439	3820	500	430	365	330	n/a	n/a	n/a
				25.1 AK <sup>2</sup>	5455	3911	400	518	407	418	n/a	n/a	n/a
				<b>30.1 AK<sup>2</sup></b>	5529	3972	500	742	439	445	n/a	n/a	-
				35.1 AK <sup>2</sup>	5550	4063	400	816	552	530	n/a	-	-
1800	72"	2115	356	25.1 AK <sup>2</sup>	6123	4379	400	518	407	418	n/a	n/a	n/a
				30.1 AK <sup>2</sup>	6197	4440	500	742	439	445	n/a	n/a	n/a
				<b>35.1 AK<sup>2</sup></b>	6218	4531	400	816	552	530	n/a	-	-
2000	80"	2325	406	25.1 AK <sup>2</sup>	6721	4777	400	518	407	418	n/a	n/a	n/a
				30.1 AK <sup>2</sup>	6795	4838	500	742	439	445	n/a	n/a	n/a
				<b>35.1 AK<sup>2</sup></b>	6816	4929	400	816	552	530	n/a	n/a	-

<sup>1</sup> Antrieb 90° gedreht / actuator turned 90°

<sup>2</sup> mit Pendellagerung / with pendulum bearings



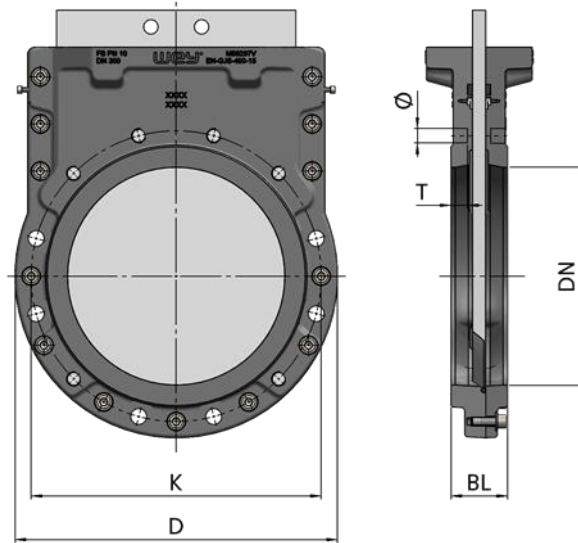
### Flansch-Abmessungen / Flange dimensions

DN	NPS	D	BL	EN 1092 PN 10 *					EN 1092 PN 16 *					EN 1092 PN6					
				K	Ø	T	⊕	⊕	K	Ø	T	⊕	⊕	K	Ø	T	⊕	⊕	
450	18"	615	114	565	M24	30	12	8	-	-	-	-	-	-	-	-	-	-	-
500	20"	670	127	620	M24	30	12	8	-	-	-	-	-	-	-	-	-	-	-
600	24"	780	154	725	M27	38	12	8	-	-	-	-	-	-	-	-	-	-	-
700	28"	895	165	840	M27	39	14	10	840	M33	39	14	10	-	-	-	-	-	-
800	32"	1015	190	950	M30	42	14	10	950	M36	42	14	10	-	-	-	-	-	-
900	36"	1115	203	1050	M30	43	18	10	1050	M36	43	18	10	-	-	-	-	-	-
1000	40"	1230	216	1160	M33	47	18	10	1170	M39	47	18	10	-	-	-	-	-	-
1200	48"	1455	254	1380	M36	49	20	12	1390	M45	49	20	12	-	-	-	-	-	-
1400	56"	1675	279	1590	M39	55	22	14	1590	M45	55	22	14	-	-	-	-	-	-
1600	64"	1915	318	1820	M45	76	22	18	1820	M52	76	22	18	-	-	-	-	-	-
1800	72"	2115	356	2020	M45	76	28	16	2020	M52	76	28	16	-	-	-	-	-	-
2000	80"	2325	406	2230	M45	76	28	20	2230	M59	76	28	20	-	-	-	-	-	-

\* Standard

⊕ Gewindesacklöcher / Tapped blind holes

⊕ Durchgangsbohrungen / Through holes

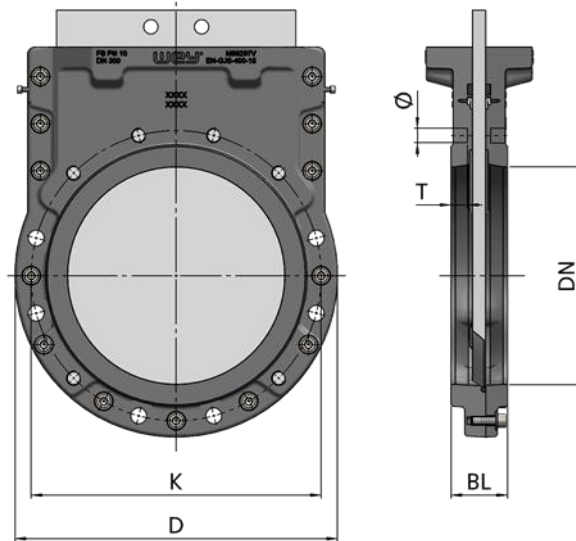


### Flansch-Abmessungen / Flange dimensions

DN	NPS	D	BL	ANSI B16.5-150 / ANSI B16.47-150 Series A					BS 10-D				AS 2129-D					
				K	Ø	T	⊕	⊕	K	Ø	T	⊕	⊕	K	Ø	T	⊕	⊕
450	18"	615	114	-	-	-	-	-	-	-	-	-	-	-	-	-	-	-
500	20"	670	127	-	-	-	-	-	-	-	-	-	-	-	-	-	-	-
600	24"	780	154	-	-	-	-	-	-	-	-	-	-	-	-	-	-	-
700	28"	895	165	-	-	-	-	-	-	-	-	-	-	-	-	-	-	-
800	32"	1015	190	-	-	-	-	-	-	-	-	-	-	-	-	-	-	-
900	36"	1115	203	-	-	-	-	-	-	-	-	-	-	-	-	-	-	-
1000	40"	1230	216	-	-	-	-	-	-	-	-	-	-	-	-	-	-	-
1200	48"	1455	254	-	-	-	-	-	-	-	-	-	-	-	-	-	-	-
1400	56"	1675	279	-	-	-	-	-	-	-	-	-	-	1615	M33	55	22	14
1600	64"	1915	318	-	-	-	-	-	-	-	-	-	-	1825	M36	76	22	18
1800	72"	2115	356	-	-	-	-	-	2019.3	11/2"	76	28	16	2019	M39	76	28	16
2000	80"	2325	406	-	-	-	-	-	-	-	-	-	-	-	-	-	-	-

⊕ Gewindesacklöcher / Tapped blind holes

⊕ Durchgangsbohrungen / Through holes



### Flansch-Abmessungen / Flange dimensions

JIS B 2220-10K

DN	NPS	D	BL	K	Ø	T	⊕	⊕
450	18"	615	114	565	M24	30	12	8
500	20"	670	127	620	M24	30	12	8
600	24"	780	154	-	-	-	-	-
700	28"	895	165	840	M30	39	14	10
800	32"	1015	190	-	-	-	-	-
900	36"	1115	203	1050	M30	43	18	10
1000	40"	1230	216	1160	M36	47	18	10
1200	48"	1455	254	1380	M36	49	20	12
1400	56"	1675	279	-	-	-	-	-
1600	64"	1915	318	-	-	-	-	-
1800	72"	2115	356	-	-	-	-	-
2000	80"	2325	406	-	-	-	-	-

⊕ Gewindesacklöcher / Tapped blind holes

⊕ Durchgangsbohrungen / Through holes