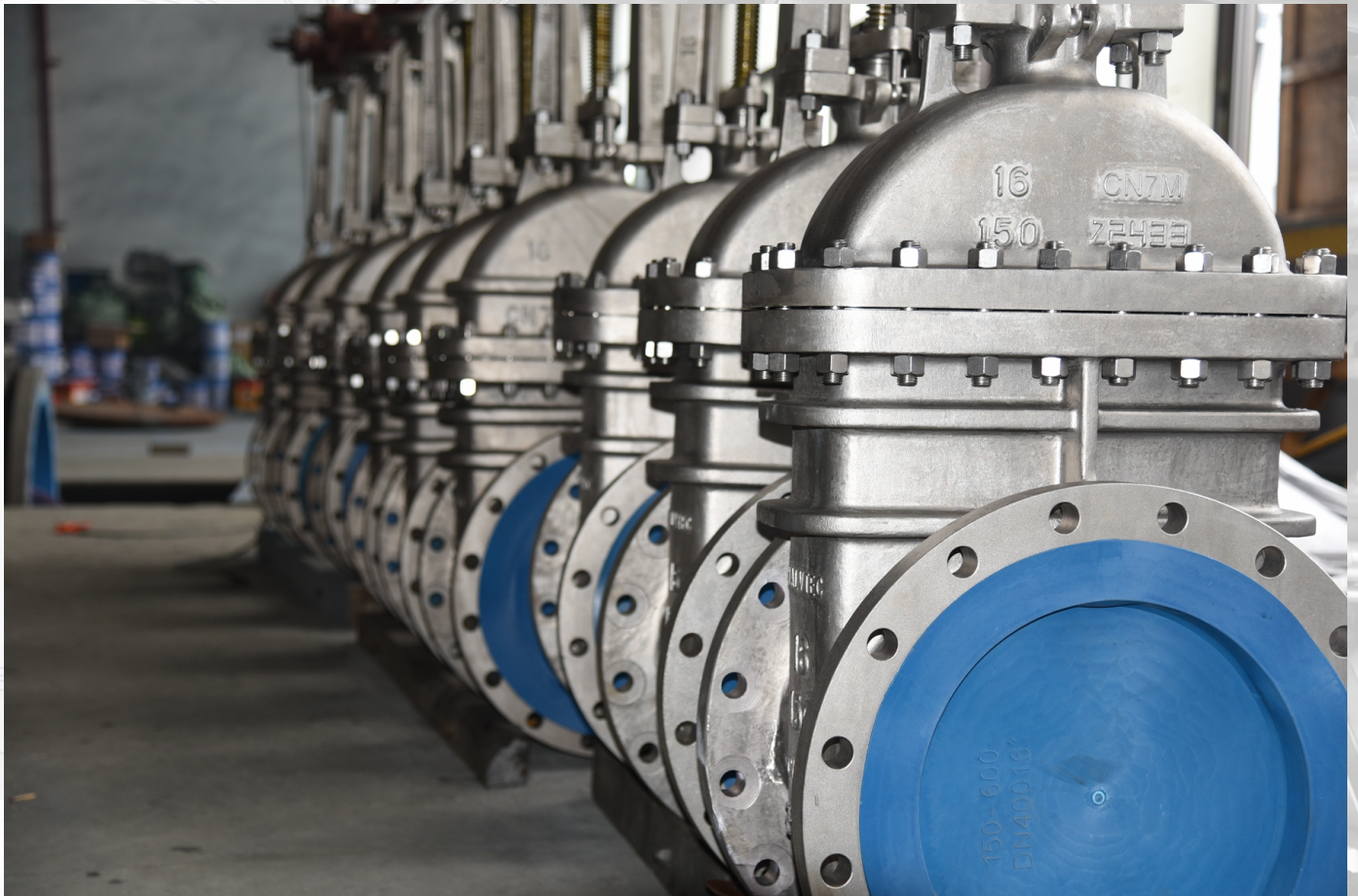


# ABO valve

## NON-RISING STEM RESILIENT SEATED GATE VALVE

<b>Nominal size</b>	DN40 - DN1200
<b>Working pressure</b>	10 bar / 16 bar
<b>Flange connection</b>	PN10/16/25/40*/100*
<b>Working temperature</b>	-10°C / +180°C**
<b>Working media</b>	Non-aggressive, Aggressive*
<b>Actuator</b>	planet gear gearbox electric actuator bareshaft with ISO top flange

\*upon request \*\*other temperature range, upon request



[www.abovalve.com](http://www.abovalve.com)



# NON-RISING STEM RESILIENT SEATED GATE VALVE

Czech Industrial Valve Manufacturer

## Resilient-Seated Gate Valve

Non-Rising Stem, bareshaft with ISO top flange prepared for Gearbox / Electric Actuator

iValve Resilient Seated Gate Valve with ISO top flange, which is designed and manufactured for use in water, waste water, and sewage. Main usage is for isolation purposes. Full bore design makes it possible to be used bi-directionally and the fluid could clean the sealing surface area every time the valve is opened.



### Main Features

- Huge convenience in daily water-using and repairing
- Class A sealing (ZERO LEAKAGE)
- 100% testing before packing and delivery.
- Completely free and full bore self-cleaning & low-pressure loss.
- Clockwise closing (CWC) as standard, anticlockwise closing upon request.
- Operation: Manual handwheel, Square Cap, Extension Spindle, Gear Box, Electric Actuator, Pneumatic Actuator.
- Bonnet bolts are in Galvanized Carbon Steel, and sealed with hot melt to prevent corrosion. Other materials upon request.
- O-ring bonnet gasket wraps each bolt to prevent corrosion.
- Linear sealing design provides better sealing & lower closing torque.
- WRAS approved for drinking water.

### Standards

- Hydraulic tests according to EN-12266-1, Class A
- Designed to EN-1074
- Flanges to EN-1092-2, BS4504

### Service Fields

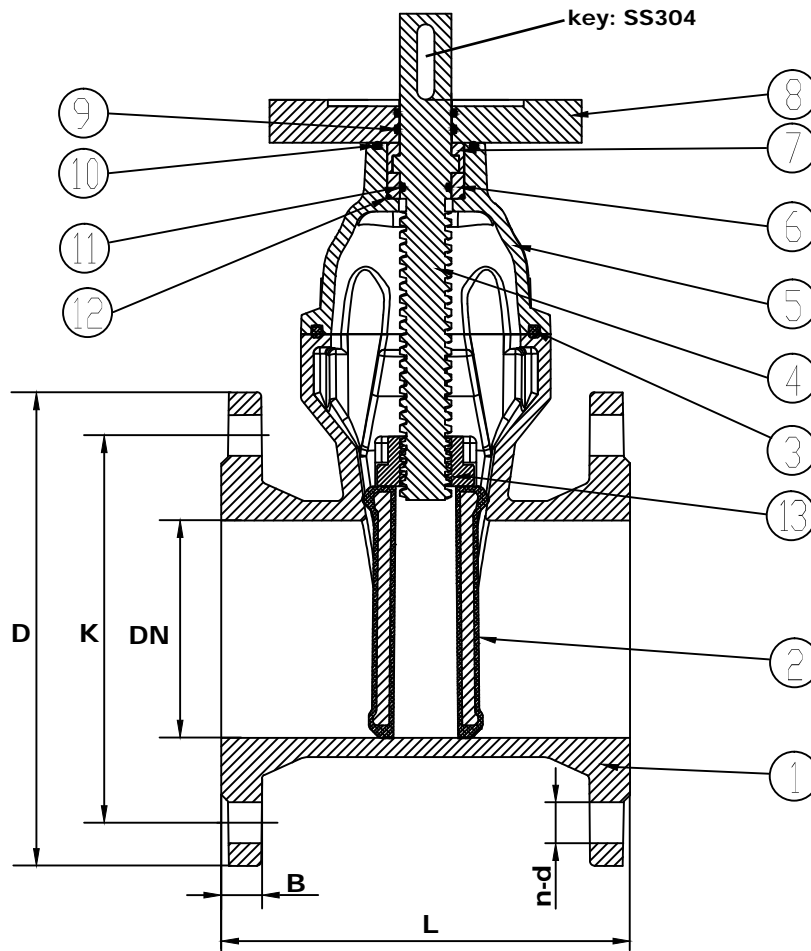
- Water and neutral liquid applications
- Main transmission pipelines
- Irrigation system
- Fire fighting



# NON-RISING STEM RESILIENT SEATED GATE VALVE

Czech Industrial Valve Manufacturer

## Valve dimension



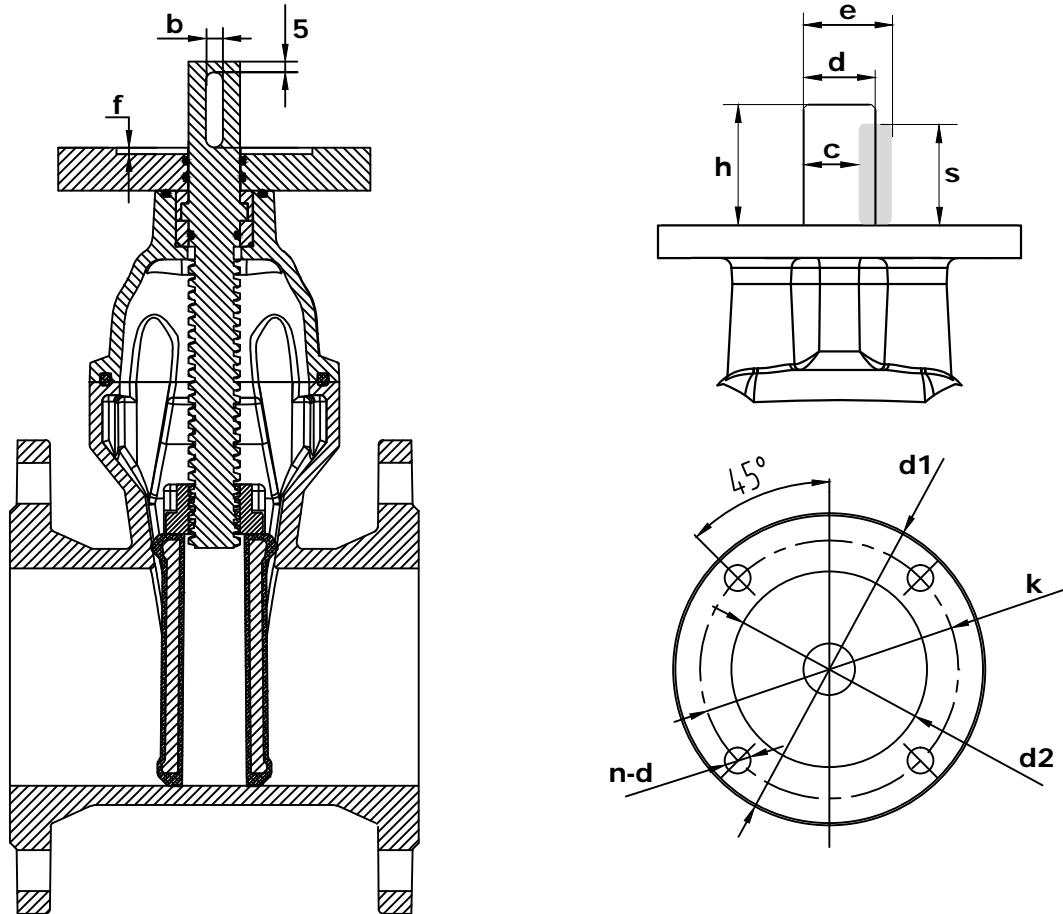
1	Body	Ductile iron
2	Disc	DI+EPDM
3	Bonnet gasket	NBR
4	Stem	SS420
5	Bonnet	Ductile iron
6	Thrust Washer	Brass
7	Thrust Sleeve	Brass
8	Top flange	Ductile iron
9	O-Ring	NBR
10	O-Ring	NBR
11	O-Ring	NBR
12	O-Ring	NBR
13	Stem Nut	Brass

SIZE	Outline (mm)			Valve Flange dimensions (mm)			
	L (face to face)			EN1092-2, PN10 / PN 16 / PN25			
DN	BS5163	DIN-F4	DIN-F5	D	K	n-d	B
DN40	165	140	240	150	110	4-φ19	19
DN50	178	150	250	165	125	4-φ19	19
DN65	190	170	270	185	145	4-φ19 / 4-φ19 / 8-φ19	19
DN80	203	180	280	200	160	8-φ19 / 8-φ19 / 8-φ19	19
DN100	229	190	300	220 / 220 / 235	180 / 180 / 190	8-φ19 / 8-φ19 / 8-φ23	19
DN125	254	200	325	250 / 250 / 270	210 / 210 / 220	8-φ19 / 8-φ19 / 8-φ28	19
DN150	267	210	350	285 / 285 / 300	240 / 240 / 250	8-φ23 / 8-φ23 / 8-φ28	19 / 19 / 20
DN200	292	230	400	340 / 340 / 360	295 / 295 / 310	8-φ23 / 12-φ23 / 12-φ28	20 / 20 / 22
DN250	330	250	450	405 / 405 / 425	350 / 355 / 370	12-φ23 / 12-φ28 / 12-φ31	22 / 22 / 24.5
DN300	356	270	500	460 / 460 / 485	400 / 410 / 430	12-φ23 / 12-φ28 / 16-φ31	24.5 / 24.5 / 27.5
DN350	381	290	550	520 / 520 / 555	460 / 470 / 490	16-φ23 / 16-φ28 / 16-φ34	26.5 / 26.5 / 32
DN400	406	310	600	580 / 580 / 620	515 / 525 / 550	16-φ28 / 16-φ31 / 16-φ37	28 / 28 / 32
DN450	432	330	650	640 / 640	565 / 585	20-φ28 / 20-φ31	30 / 30
DN500	457	350	700	670 / 715	620 / 650	20-φ28 / 20-φ34	26.5 / 31.5
DN600	508	390	800	780 / 840	725 / 770	20-φ31 / 20-φ37	30 / 36
DN700	610	430	900	895 / 910	840 / 840	24-φ31 / 24-φ37	32.5 / 39.5
DN800	660	470	1000	1015 / 1025	950 / 950	24-φ34 / 24-φ41	35 / 43
DN900	711	510	1100	1125 / 1125	1050 / 1050	28-φ34 / 28-φ40	46.5 / 46.5
DN1000	811	550	1200	1255 / 1255	1160 / 1170	28-φ37 / 28-φ43	50 / 50
DN1200	960	630	1400	1485 / 1485	1380 / 1390	32-φ40 / 32-φ49	57 / 57

\* PN25 available for sizes DN40-40

# NON-RISING STEM RESILIENT SEATED GATE VALVE

## Top flange dimension



for different top flange, pls consult with us when ordering

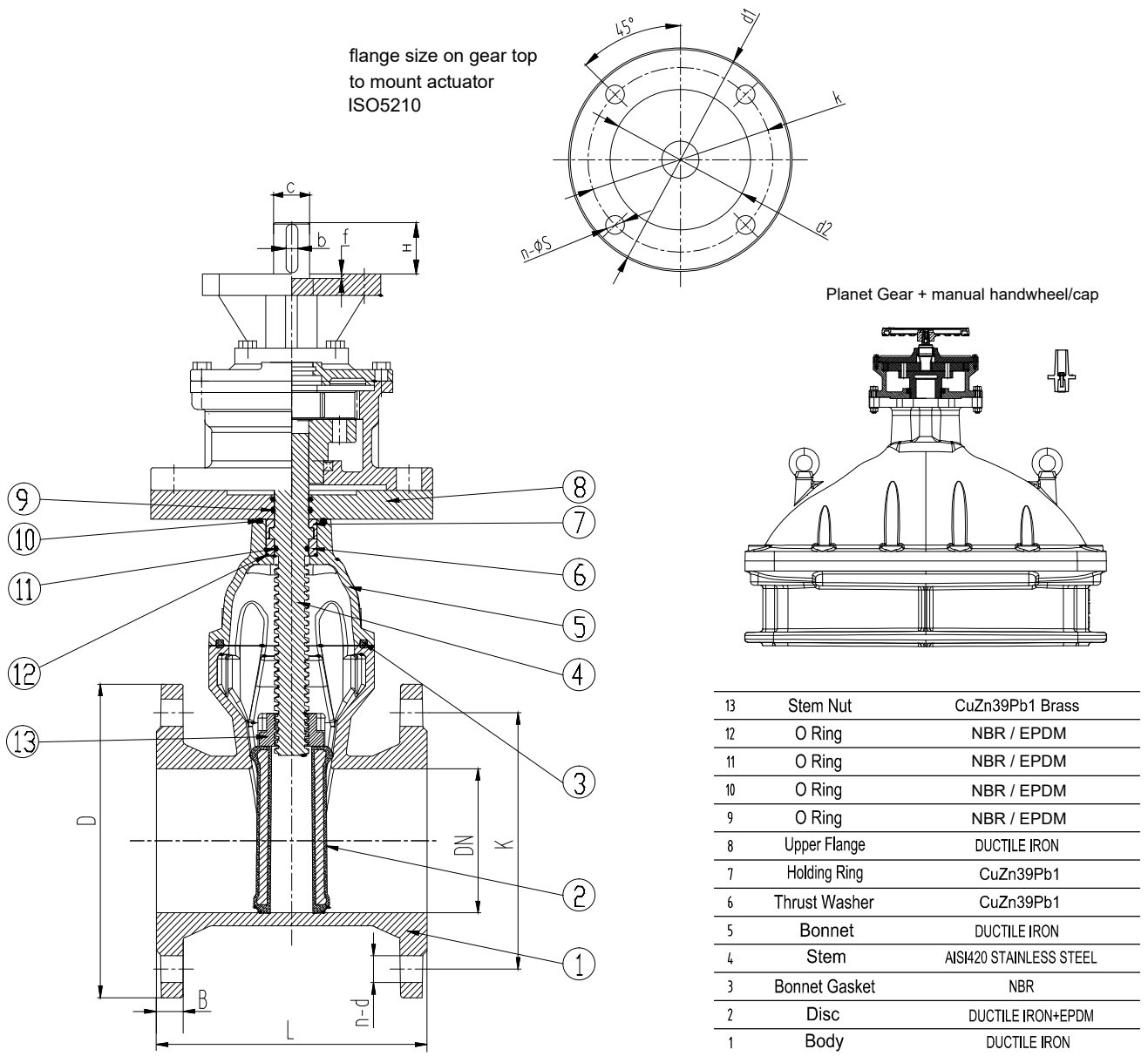
SIZE DN	Switch Turns	Closing Torque (N.m)	mounting Flange	Top Flange dimension to ISO-5210										
				d1	k	n-d	d2	f	d	h	s	b	c	e
DN40	9	40	F10	125	102	4-φ12	71	3	18	40	35	6	14.5	20.8
DN50	9	40	F10	125	102	4-φ12	71	3	18	40	35	6	14.5	20.8
DN65	10	50	F10	125	102	4-φ12	71	3	21	40	35	6	17.5	23.8
DN80	12	60	F10	125	102	4-φ12	71	3	21	40	35	6	17.5	23.8
DN100	12	80	F10	125	102	4-φ12	71	3	24	40	35	8	20	27.3
DN125	14.5	100	F12	150	125	4-φ14	86	3	26	50	45	8	22	29.3
DN150	17	120	F12	150	125	4-φ14	86	3	26	50	45	8	22	29.3
DN200	18.5	150	F12	150	125	4-φ14	86	3	32	50	45	10	27	35.3
DN250	23	200	F14	175	140	4-φ18	101	4	34	55	50	10	29	37.3
DN300	27	250	F14	175	140	4-φ18	101	4	34	55	50	10	29	37.3
DN350	30.5	300	F14	175	140	4-φ18	101	4	34	55	50	10	29	37.3
DN400	34.5	350	F16	210	165	4-φ22	131	6	36	70	65	10	31	39.3
DN450	28	400	F16	210	165	4-φ22	131	6	36	70	65	10	31	39.3
DN500	32.5	450	F16	210	165	4-φ22	131	6	36	70	65	10	31	39.3
DN600	34.5	500	F25	300	254	8-φ18	201	6	42	90	85	12	37	45.3
DN700	40	700	F25	300	254	8-φ18	201	6	55	90	85	16	49	59.3
DN800	45	900	F30	350	298	8-φ22	231	6	65	90	85	18	58	69.4
DN900	57.3	900	F30	350	298	8-φ22	231	6	65	90	85	18	58	69.4
DN1000	63.5	900	F30	350	298	8-φ22	231	6	65	90	85	18	58	69.4
DN1200	101	1200	F30	350	298	8-φ22	231	6	65	90	85	18	58	69.4



# NON-RISING STEM RESILIENT SEATED GATE VALVE

Czech Industrial Valve Manufacturer

## Resilient-Seated Gate Valve Non-Rising Stem, operated with Planet Gear



DN	L: face to face length			valve end flange, PN10/16, MM				flange size on gear, to mount actuator						Gear model	Gear ratio	torque value / N.m (with 30% safety factor)		open-close cycles			
	BS5163	DIN-F4	DIN-F5	EN1092-2 / BS4504				ISO5210-2001								valve barestem	torque after gear (Gear output torque)	valve barestem	after gear		
				D	K	n-d	B	d1	k	H	d	b	d2							f	flange size
250	330	250	450	405/405	350/355	12-023/12-028	22	Ø125	Ø102	40	Ø25	8x7	70	3	F10	PLG-3	3 : 1	260	87	22.0	66.0
300	356	270	500	460/460	400/410	12-023/12-028	24.5	Ø125	Ø102	40	Ø25	8x7	70	3	F10	PLG-3	3 : 1	325	108	26.0	78.0
350	381	290	550	520/520	460/470	16-023/16-028	26.5	Ø125	Ø102	40	Ø25	8x7	70	3	F10	PLG-3	3 : 1	390	130	30.0	90.0
400	406	310	600	580/580	515/525	16-028/16-031	28	Ø125	Ø102	40	Ø25	8x7	70	3	F10	PLG-3	3 : 1	455	152	34.0	102.0
450	432	330	650	640/640	565/585	20-028/20-031	30	Ø125	Ø102	40	Ø25	8x7	70	3	F10	PLG-3	3 : 1	520	173	29.0	87.0
500	457	350	700	670/715	620/650	20-028/20-034	26.5/31.5	Ø125	Ø102	40	Ø25	8x7	70	3	F10	PLG-3	3 : 1	585	195	32.0	96.0
600	508	390	800	780/840	725/770	20-031/20-037	30/36	Ø175	Ø140	40	Ø32	10x8	100	4	F14	PLG-4	4 : 1	715	179	34.0	136.0
700	610	430	900	895/910	840/840	24-031/24-037	32.5/39.5	Ø175	Ø140	40	Ø32	10x8	100	4	F14	PLG-6	6 : 1	910	152	40.0	240.0
800	660	470	1000	1015/1025	950/950	24-034/24-041	35/43	Ø175	Ø140	40	Ø32	10x8	100	4	F14	PLG-6	6 : 1	1170	195	45.0	270.0
900	711	510	1100	1115/1125	1050/1050	28-034/28-041	37.5/46.5	Ø175	Ø140	40	Ø32	10x8	100	4	F14	PLG-6	6 : 1	1170	195	57.3	343.8
1000	813	550	1200	1230/1255	1160/1170	28-037/28-043	40/50	Ø175	Ø140	40	Ø32	10x8	100	4	F14	PLG-6	6 : 1	1170	195	63.5	381.0
1200	960	630	1400	1455/1485	1380/1390	32-040/32-049	45/57	Ø175	Ø140	40	Ø32	10x8	100	4	F14	PLG-6	6 : 1	1560	260	101.0	606.0

# NON-RISING STEM RESILIENT SEATED GATE VALVE

Czech Industrial Valve Manufacturer

## Resilient-Seated Gate Valve

Non-Rising Stem, operated with electronic actuator

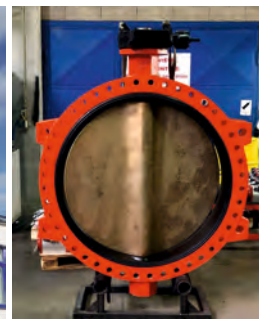
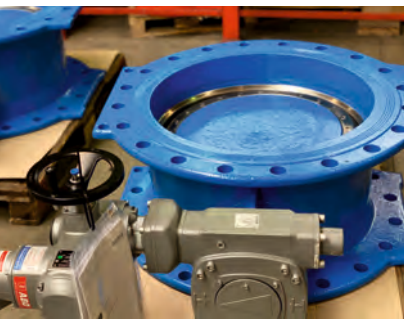
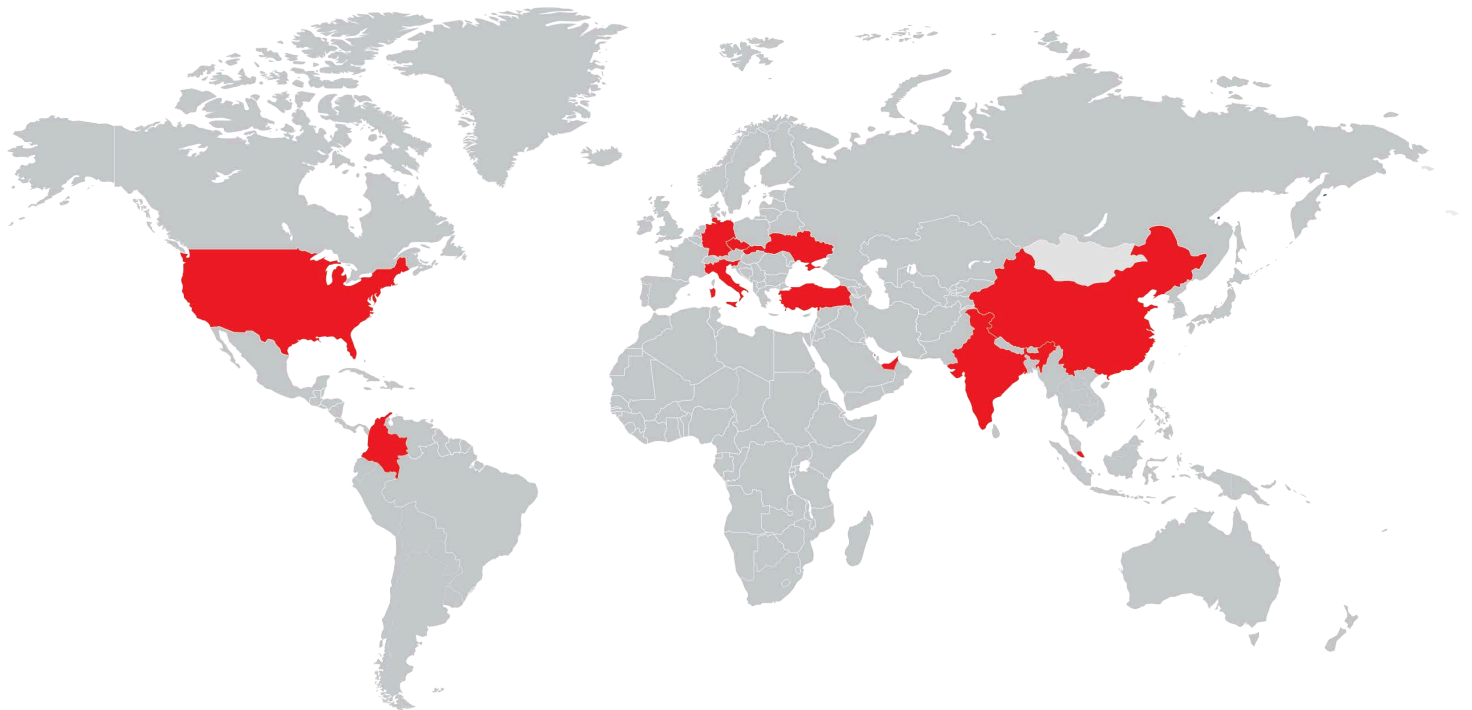
- multi turn electronic actuators from renowned manufacturers
  - torque moment up to 6000Nm\*
  - 110V / 230V 1PH
- 400V 3PH
- simple ON/OFF or regulation function
  - ambient temperature -20C / +70C\*
  - weatherproof enclosure
  - limit switches, heater, manual override, handwheel, color and others upon request or after consultation with engineering department

\*individual non-standard requirements upon request



# CONTACT US

Czech Industrial Valve Manufacturer



## Czech republic

**ABO valve, s.r.o.**  
Dalimilova 285/54  
783 35 Olomouc  
tel.: +420 585 229 129  
armatury@abovalve.com

## Slovakia

**ABO Slovakia, s.r.o.**  
Nové Mesto n/Váhom  
tel.: +421 484 145 633  
sales.sk@abovalve.com

## Germany

**ABO Armaturen GmbH**  
Essen  
tel.: +49 (0)152 262 29501  
sales.de@abovalve.com

## Ukraine

**ABO Ukraine LLC** Dnipro  
tel.: +38 056 733 95 70  
sales.ua@abovalve.com

## Turkey

**ABO Armaturen LTD STI**  
Istanbul  
tel.: +90 216 527 36 34  
sales.tr@abovalve.com

## Italy

**ABO valve Italiana S.r.l.**  
Agrate Brianza  
sales.it@abovalve.com  
tel.: +39 334 9102143

## China

**ABO Flow Control**  
Shanghai  
tel.: +86 136 01 522 831  
sales.cn@abovalve.com

## India

**ABO Controls Pvt. Ltd.**  
Mumbai  
tel.: +91 99 2002 9994  
sales.in@abovalve.com

## Singapore

**ABO Valve Pte. Ltd.**  
Singapore  
tel.: +65 9169 4562  
sales.sg@abovalve.com

## United Arab Emirates

**ABO UAE**  
Abu Dhabi  
tel.: +971 56 9207964  
bharti@abovalve.com

## Bahrain

**ABO Middle East**  
Manama  
tel.: +973 3444 9065  
jimmichen@abovalve.com

## Distributor

**TATRA PARTS, s.r.o.**  
Chorvátsky Grob  
tel.: +421 911 757 674  
hadi@tpco.sk

Platný od: 06/2025



Follow us on:



[www.abovalve.com](http://www.abovalve.com)



*Veškeré informace obsažené v tomto prospektu mají pouze informativní charakter a slouží pouze pro obecné použití a nenahrazují doporučení či záruku na jakékoliv specifické a nestandardní použití. Jakékoliv specifické požadavky na Vaši instalaci, změnu materiálového provedení pro Vámi zamýšlenou investici prosíme konzultujte se zástupci společnosti ABO valve. Výrobce si vyhrazuje právo upravit design produktu nebo produkt bez předchozího upozornění. Závazná specifikace bude vždy poskytnuta v nabídce, společnost ABO valve nenese odpovědnost za případné škody vzniklé špatným vyložením nebo nesprávným užitím informací obsažených v tomto prospektu.*